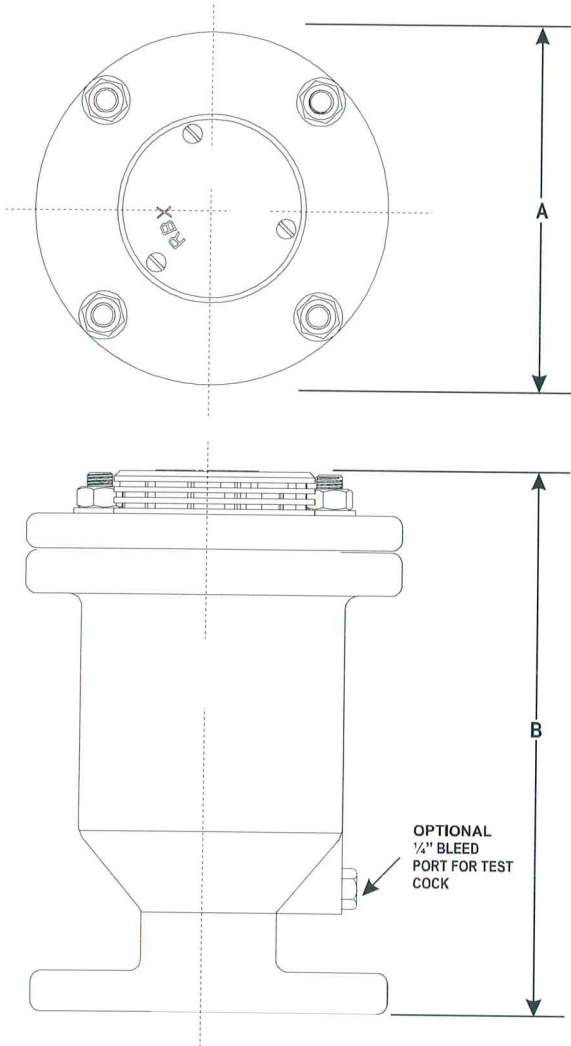


Series RBXc

GENERAL SPECIFICATIONS

DN25 (1") TO DN300 (12") - FLANGED



Type:

Double Orifice (Small & Large Orifice) with Anti Shock Orifice mechanism.

End Connection:

Flanged - ASME B16.5 Class 150
- BS EN 1092

Nominal Sizes:

DN25 (1") to DN300 (12")

Model No's:

RBXc 1601 & 1631

RBXc 2501 & 2531

Pressure Ratings bar (psi):

PN 16 (232 psi)

PN 25 (363 psi)

Operating Pressure Range - bar (PSI):

	Min	Max.
16 bar (232 psi)	0.5 (7.2)	16 (232)
25 bar (363 psi)	0.5 (7.2)	25 (363)

Operating Temperature Range:

0 °C (35 °F) to 85 °C (185 °F)

Acceptable Media:

Potable or strained raw water.

Function:

- i) High volume air discharge - pipeline filling.
- ii) High volume air intake - pipeline draining
- iii) Pressurized air discharge - pipeline filled.
- iv) Surge dampening - high velocity air discharge, water column separation & liquid oscillation.

Materials of Construction: - see page 6

Installation: - see page 3

Standard Factory Tests:

- i) Hydrostatic - 1.5 x max. rated working pressure
- ii) Low head leak - 0.5 bar
- iii) Small orifice function at max. rated working pressure (min. 1 valve in 10).

OVERALL DIMENSIONS & WEIGHTS

DN	MODEL No.		A		B		WEIGHT CAST	
	mm	in.	mm	in.	mm	in.	kg.	lbs.
025	1"	025RBXc1601	154	6.06	249	9.79	11	24
025	1"	025RBXc2501	154	6.06	252	9.92	13	29
050	2"	050RBXc1601	174	6.85	253	9.96	16	35
050	2"	050RBXc2501	174	6.85	265	10.09	18	40
080	3"	080RBXc1601	225	8.86	331	13.02	24	53
080	3"	080RBXc2501	225	8.86	336	13.23	29	64
100	4"	100RBXc1601	230	9.06	341	13.43	30	66
100	4"	100RBXc2501	230	9.06	349	13.74	33	73
150	6"	150RBXc1601	340	13.39	469	18.46	62	137
150	6"	150RBXc2501	340	13.39	480	18.90	68	150
200	8"	200RBXc1601	355	13.98	523	20.58	72	159
200	8"	200RBXc2501	355	13.98	535	21.06	80	176
250	10"	250RBXc1601	550	21.65	559	22.01	146	322
250	10"	250RBXc2501	550	21.65	565	22.24	156	344
300	12"	300RBXc1601	646	25.43	715	28.13	250	550
300	12"	300RBXc2501	646	25.43	723	28.46	267	588

Information subject to change without prior notice

