

2-PC BALL VALVE THREAD END

二片式内螺纹球阀

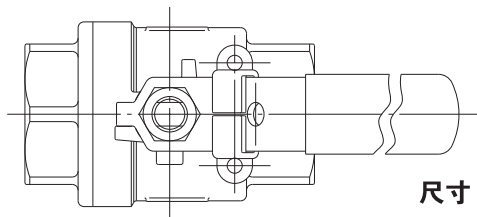
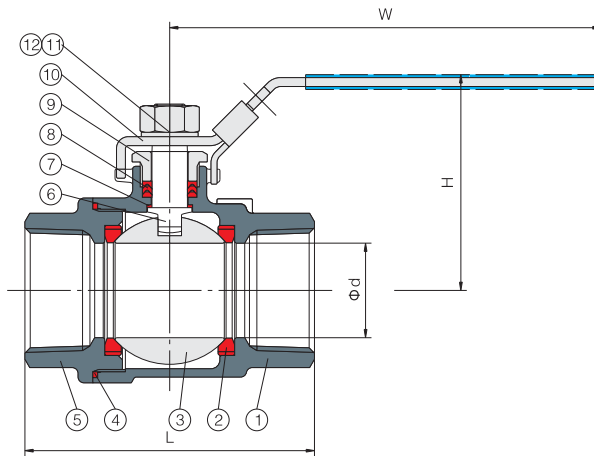


特点 Features

- 全通径 Full port, 1/4"~4" (DN6~DN100)
- 工作压力 W.P.: 1000WOG (PN63)
- 工作温度 W.T.: -20°C~180°C
- 精密铸造 Investment casting
- 阀杆防爆出装置设计 Blow-out proof stem
- 手柄带锁装置 (可选) Locking device handle (option)
- 螺纹连接标准 Thread type: ASME B1.20.1 (NPT),
DIN 259 / DIN 2999, BS 21,
ISO 288-1, ISO 7-1

材料表 Material List

| 序号No. | 零件 PARTS | 材料 MATERIAL | | |
|-------|--------------------|-------------|-----|------|
| 1 | 阀体 BODY | WCB | CF8 | CF8M |
| 2 | 阀座 SEAT | PTFE | | |
| 3 | 球体 BALL | CF8 | CF8 | CF8M |
| 4 | 垫片 GASKET | PTFE | | |
| 5 | 阀盖 BONNET | WCB | CF8 | CF8M |
| 6 | 阀杆 STEM | 304 | 304 | 316 |
| 7 | 阀杆垫圈 STEM WASHER | PTFE | | |
| 8 | 填料 PACKING | PTFE | | |
| 9 | 填料盖 GLAND | 304 | | |
| 10 | 手柄 HANDLE | 304+PVC | | |
| 11 | 弹簧垫圈 SPRING WASHER | 304 | | |
| 12 | 螺母 NUT | 304 | | |



尺寸 Dimensions

Unit: mm

| 尺寸 SIZE | | d | L | H | W |
|---------|-------|-----|-------|-----|-----|
| 1/4" | DN6 | 10 | 55 | 55 | 95 |
| 3/8" | DN10 | 12 | 55 | 55 | 95 |
| 1/2" | DN15 | 15 | 62 | 55 | 105 |
| 3/4" | DN20 | 20 | 71 | 59 | 128 |
| 1" | DN25 | 25 | 81.5 | 66 | 146 |
| 1-1/4" | DN32 | 32 | 96 | 71 | 146 |
| 1-1/2" | DN40 | 38 | 105 | 82 | 162 |
| 2" | DN50 | 50 | 120 | 90 | 192 |
| 2-1/2" | DN65 | 65 | 162 | 122 | 220 |
| 3" | DN80 | 80 | 170.5 | 135 | 250 |
| 4" | DN100 | 100 | 225 | 156 | 300 |

2-PC BALL VALVE THREAD END DIN3202-M3

二片式内螺纹球阀 德标

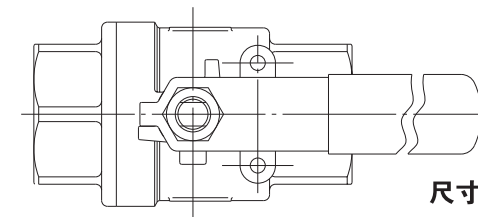
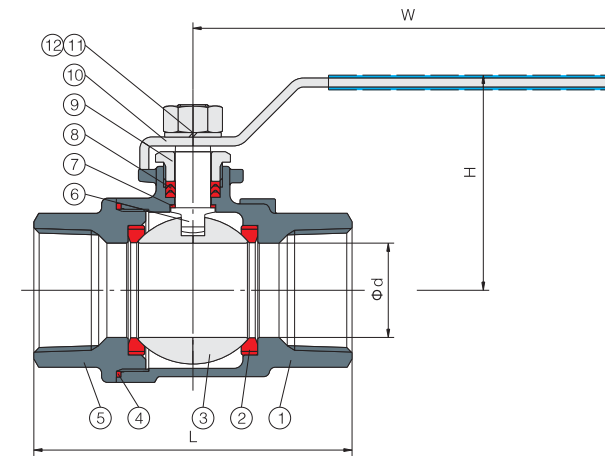


特点 Features

- 全通径 Full port, 1/4"~4" (DN6~DN100)
- 工作压力 W.P.: 1000WOG (PN63)
- 工作温度 W.T.: -20°C~180°C
- 精密铸造 Investment casting
- 阀杆防爆出装置设计 Blow-out proof stem
- 手柄带锁装置 (可选) Locking device handle (option)
- 结构长度 Face to face: DIN3202-M3
- 螺纹连接标准 Thread type: ASME B1.20.1 (NPT),
DIN 259 / DIN 2999, BS 21,
ISO 288-1, ISO 7-1

材料表 Material List

| 序号No. | 零件 PARTS | 材料 MATERIAL | | |
|-------|--------------------|-------------|-----|------|
| 1 | 阀体 BODY | WCB | CF8 | CF8M |
| 2 | 阀座 SEAT | PTFE | | |
| 3 | 球体 BALL | CF8 | CF8 | CF8M |
| 4 | 垫片 GASKET | PTFE | | |
| 5 | 阀盖 BONNET | WCB | CF8 | CF8M |
| 6 | 阀杆 STEM | 304 | 304 | 316 |
| 7 | 阀杆垫圈 STEM WASHER | PTFE | | |
| 8 | 填料 PACKING | PTFE | | |
| 9 | 填料盖 GLAND | 304 | | |
| 10 | 手柄 HANDLE | 304+PVC | | |
| 11 | 弹簧垫圈 SPRING WASHER | 304 | | |
| 12 | 螺母 NUT | 304 | | |



尺寸 Dimensions

Unit: mm

| 尺寸 SIZE | | d | L | H | W |
|---------|-------|-----|-----|-----|-----|
| 1/2" | DN15 | 15 | 75 | 55 | 120 |
| 3/4" | DN20 | 20 | 80 | 59 | 120 |
| 1" | DN25 | 25 | 90 | 66 | 145 |
| 1-1/4" | DN32 | 32 | 110 | 71 | 145 |
| 1-1/2" | DN40 | 38 | 120 | 82 | 190 |
| 2" | DN50 | 50 | 140 | 90 | 190 |
| 2-1/2" | DN65 | 65 | 185 | 122 | 240 |
| 3" | DN80 | 80 | 205 | 135 | 250 |
| 4" | DN100 | 100 | 240 | 156 | 300 |