

Foot Valves

Disc- Nickel plated Ductile Iron, 316 Stainless Steel, 304 Stainless Steel
 Stem- Stainless Steel
 Gasket- Rubber insertion gasket, CAF gasket
 Spring- Stainless Steel
 Body- Cast Iron (GG25)
 Flange- Table D Galvanized
 Basket- Mild Steel Galvanized
 Size available- DN80-DN200



Bellows/Expansion Joints

Materials- EPDM, Hypalon, Butyl, Nitrile, Natural Rubber
 Sizes -25mm- 1200mm
 Pressure Ratings- From 5 bar-16 bar
 Temperature Rating- 90 degrees C - 150 degrees C



Brass Spring Check Valve

Full Brass Valve
 Stainless Steel Spring
 Brass Clack
 NBR Rubber seat on clack for good seal
 Thick guides and spindle to ensure long lifespan
 Adequate wall thickness to prevent cracking

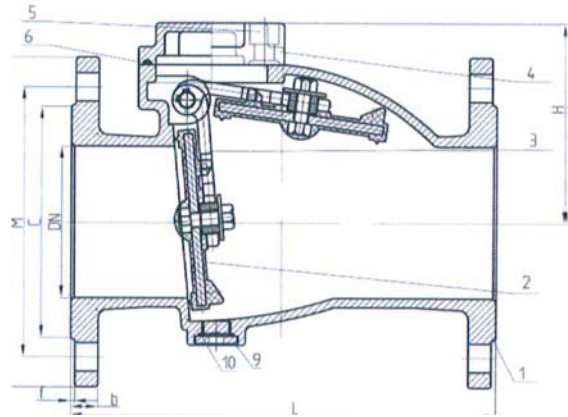
Size: DN15 to DN100



Non-slam Swing Check Valve



Designed to API 6D, ASME B16.34 and API 594
 Venturi port to reduce pressure loss
 Spring protection and no impact
 Low noise and lower water hammer damage
 Resilient and metal to metal seat options
 Full series with lugs and support legs
 No outside leakage
 Cast or Forged Body Options
 Size: 2"~60" (DN50~DN1500)
 Rating: CL150~2500 (PN10~PN420)
 Body: C.S, S.S, Alloy Steel, Duplex Steel
 Trim: C.S, S.S, Alloy Steel, Duplex Steel
 Seat: Resilient or Metal to Metal
 Ends: Flange, Wafer or Weld



Stainless Steel Knife Gate Valve

Size: DN50 to DN600 (Larger dimensions on request)

Working pressure: 4Bar – 10Bar

Standard Flange Connections: EN1092, ASME 16.5, Others on request

Application: Pulp and Paper, Mining, Waste Water Treatment, Food and Beverage, Chemical Plants, Power Plants, Steel Industry.



Wafer Slurry Knife Gate Valve



Lugged Knife Gate Valve



Stainless Steel Wafer Butterfly Valve



High Pressure Knife Gate Valve



Stainless Steel Wafer Butterfly Valve



Wafer Type Butterfly Valve, Triple offset



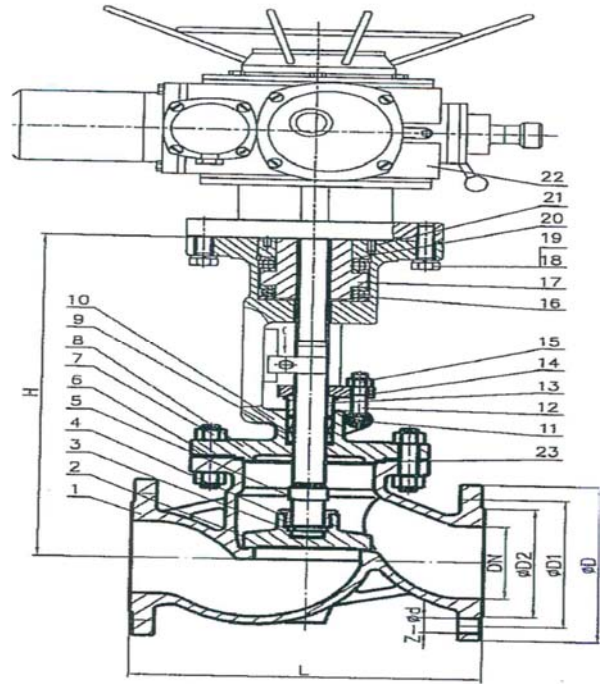
Stainless Steel Lugged Butterfly Valve



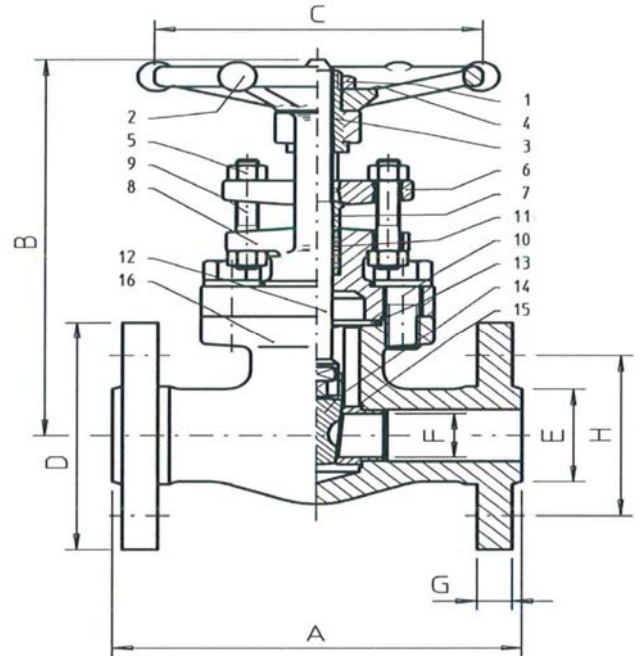
Multi-Flange Wafer Butterfly Valve



Stainless Steel Globe Valve



Cast Steel Gate Valve



SERRATED SPIRAL FINISH - 3.2 - 6.3 Ra (125 - 250 AARH)